

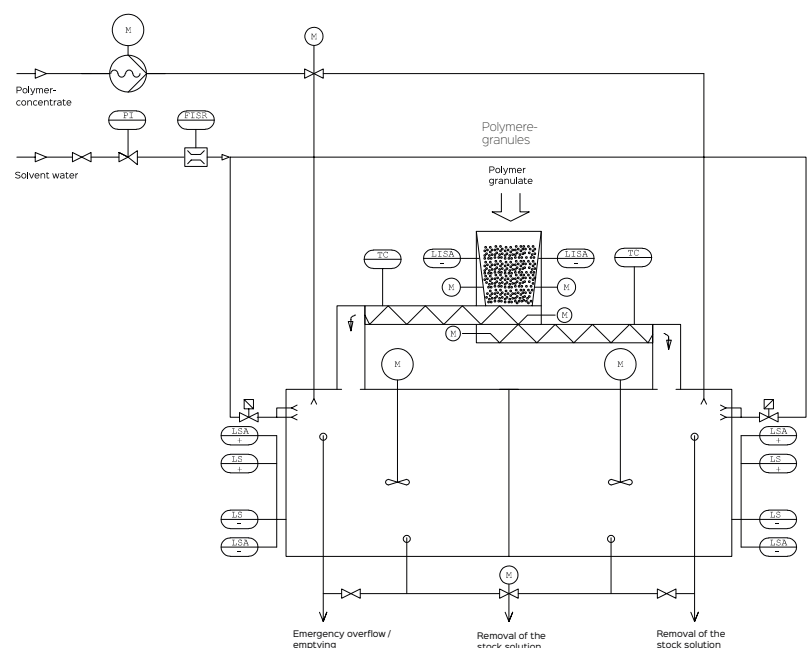
EUROFLOC 2KP

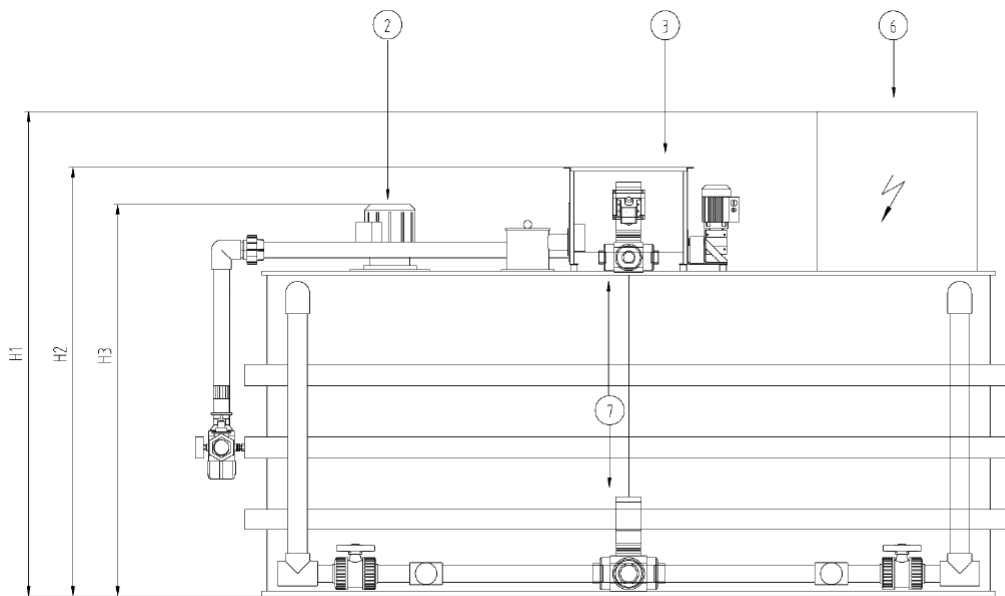
Fully automated two-chamber
batch system for powdery and/or
liquid polyelectrolyte



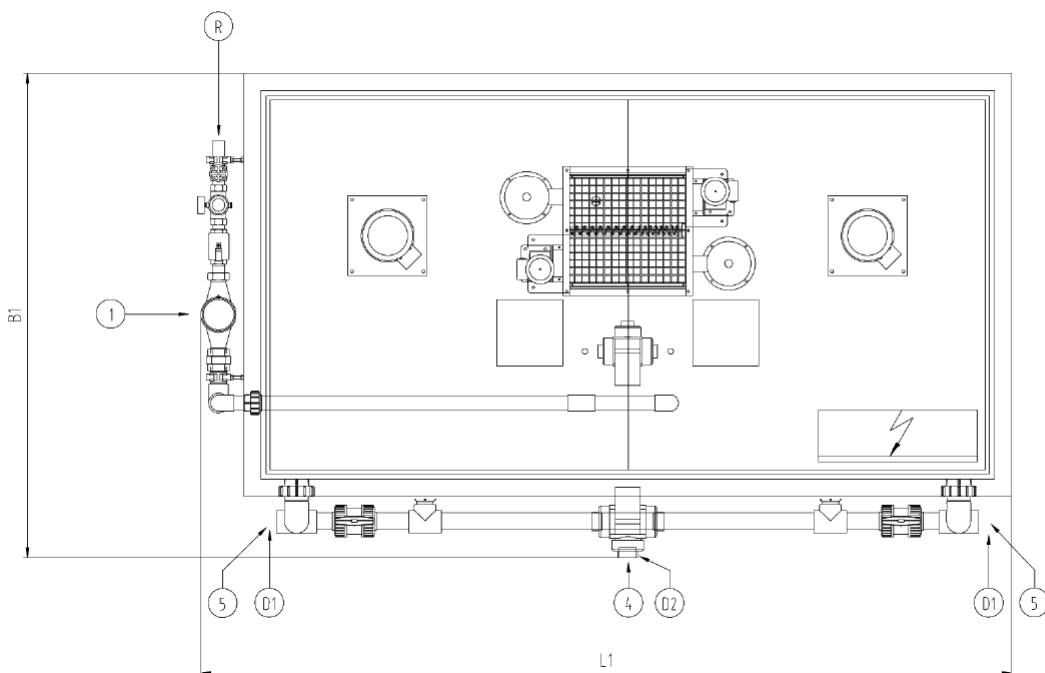
Detailed information:

- 2 separate chambers made of PP (preparation, maturing and dosing chamber) with high-grade steel electric agitator and level measurement
- Dry feeder made of high-grade steel with metering screw
- Water fitting: PVC piping, water path with isolating valve, pressure reducer, solenoid valve and contact water meter based on manufacturers' standards
- Nozzle mixer with in-line water connection and additional connection for liquid polymer dosing
- Switch cabinet with PLC (programmable logic control) and operator panel for configuration and operator control
- Solution concentration can be independently configured from 0.05 to 0,5 % (optionally up to 1%) at a maximum viscosity of 2,500 cP
- Maturing time depending on throughput
- Process water: Technical grade, min. 3 bar





- 1 Water path
- 2 Agitator
- 3 Dry feeder
- 4 Extraction
- 5 Overflow / Emptying
- 6 Switch cabinet / Junction box
- 7 3-way valve



Type	l/h30min	l/h60min	G[kg]	P[kW]	D1	D2	R	H1	H2	H3	L1	B1
2KP-1000	~1000	~500	~270	~1,8	40	50	3/4"	~1420	~1210	~1080	~1840	~1420
2KP-2000	~2000	~1000	~470	~2,2	50	63	1"	~1820	~1620	~1480	~2150	~1440
2KP-4000	~4000	~2000	~710	~3,7	63	75	6/4"	~1825	~1620	~1480	~3100	~1865
2KP-6000	~6000	~3000	~950	~5,1	63	75	6/4"	~2120	~1910	~1770	~3420	~1940